

# 250x4

## HEAVY DUTY

# SPECIFICATIONS

## Engine

Isuzu AQ-4HK1X Final Tier 4 turbocharged diesel engine with electronic control (ECM) and high pressure common-rail fuel injection, 4-cylinder, water-cooled, Cooled Exhaust Gas Recirculation (EGR), Intercooler, Variable-Geometry Turbocharger (VGT), Diesel Oxidation Catalyst (DOC) and Selective Catalytic Reduction (SCR) system with Dosing Control Module and heated DEF lines and tank. Electronic fuel pump and priming, Fuel cooler, Auto-idle start, Auto warm-up, EPF engine protection, dual-stage fuel filtration, remote oil filter, engine oil sample port, green plug oil drain, double element air filter.

SAE J 1349 net horsepower.....	177 hp (132.1 kW) @ 2,000 rpm
Displacement .....	317 cu in (5.2 L)
Maximum Torque.....	458 lbf-ft (621 Nm) @ 1,800 rpm
Starter .....	24 V - 5.0 kW
Alternator.....	85 amp
Battery.....	(2) 12-volt 92 amp hours

## Cab and Controls

ROPS and FOPS Level 1 certified with automatic climate control A/C and heat with defroster, 7" LCD Hi-Definition color monitor with full time rear view camera display, fuel efficiency gauge, low-effort joysticks, dual halogen cab lights, dual cab lights, control pattern changer, safety glass windows, sunroof with sunshade, shockless cab suspension with four fluid cab mounts, SCM High-Back reclining, tilting, air-suspension seat with heat, sliding 4-position tilting control consoles, Bluetooth technology, AM/FM sound system with USB and MP3 auxiliary input jack, digital clock, dome light, seat belt, coat hook, cup holder, storage compartments, floor mat, footrests, ashtray, 24V cigarette lighter, 12V outlet, travel alarm, handrails, mirrors, side-entry cab filter, spare parts kit.

Three selectable work modes, RemoteCARE Telematics GPS system, anti-theft password protection system, onboard self-diagnostic system with memory and service interval reminders, auto idling system, one-touch decelerator, auto-idle engine shutdown, auto-power boost, neutral safety start, gate-lock safety shutoff.

## Hydraulic System

Open-center system, two variable-displacement electronically controlled axial-piston pumps and one gear pump for pilot controls, main control valve with one 4-spool section and one 5-spool section with auxiliary spool: stackable, one gear pump for rotate, one spool valve for rotate, Auxiliary Control System, oil cooler, Auto-Power boost, anti-drift valves, 6 micron return filter, firewall, hydraulic oil sample port. Combination multifunction hydraulics w/ proportional controls and in-cab pressure setting control

### Hydraulic Pumps

Pump Output.....	2 x 61.8 gpm (234 L/min)
Pilot Pump Maximum Flow.....	5.3 gpm (20 L/min)
Rotate Pump (gear) Maximum Flow .....	16.4 gpm (62 L/min)

### Relief Valve Settings

Boom / Arm / Bucket.....	4,970 psi (34.3 MPa)
in Power Boost .....	5,410 psi (37.3 MPa)
Swing Circuit .....	4,190 psi (28.9 MPa)
Travel Circuit.....	4,970 psi (34.3 MPa)

### Hydraulic Cylinders

	number of cylinders - bore x rod x stroke
Boom.....	2 - 5.1" x 3.5" x 52.6" (130 mm x 90 mm x 1,335 mm)
Arm .....	1 - 5.7" x 4.1" x 65.4" (145 mm x 105 mm x 1,660 mm)
Bucket.....	5.1" x 3.5" x 42.1" (130 mm x 90 mm x 1,070 mm)

## Swing

Planetary reduction powered by axial-piston motor, Internal ring gear with grease cavity for swing pinion, Swing bearing is single-row, shear type ball bearing, Mechanical disc swing brake, Auto-power swing.

Swing Speed.....	10.6 rpm
Tail Swing .....	9' 8" (2.95 m)
Swing Torque .....	55,300 lbf-ft (74.9 kNm)



## Undercarriage

Retractable carbody with 16' 0" (4.87 m) undercarriage by 9' 6" (2.89 m) track gauge, Sealed and strutted track chain with double track guide, Sealed rollers and idlers, Two-speed independent hydrostatic travel with compact planetary final drive, Disc type brakes, Adjustable track tension, Carbody belly pan, full-length track guards.

Carrier Rollers .....	2 per Side
Track Rollers .....	8 per Side
Track Link Pitch.....	8.5" (216 mm)
Shoes .....	47 per Side
Shoe Width.....	27.5" (700 mm)
Ground Pressure.....	7.4 psi (0.051 MPa)

## Travel System

Two-speed independent hydrostatic travel with compact axial-piston motors, Hydraulic motor powered output shaft coupled to a planetary reduction drive and track sprocket, All hydraulic components mounted within the width of side frame, Automatic downshift for high torque to overcome obstacles, Spring-applied hydraulic release parking brake built into each motor, Travel motors equipped with counterbalance valve to prevent over-speeding down an incline, Single-pedal straight line travel.

Travel Speeds .....	1.6 - 2.7 mph (2.6 - 4.4 km/h)
Drawbar Pull.....	58,900 lbf (262 kN)
Gradeability .....	70% (35°)

## Attachment

Boom .....	19' 2" (5.85 m)
Arm.....	9' 10" (3.0 m)

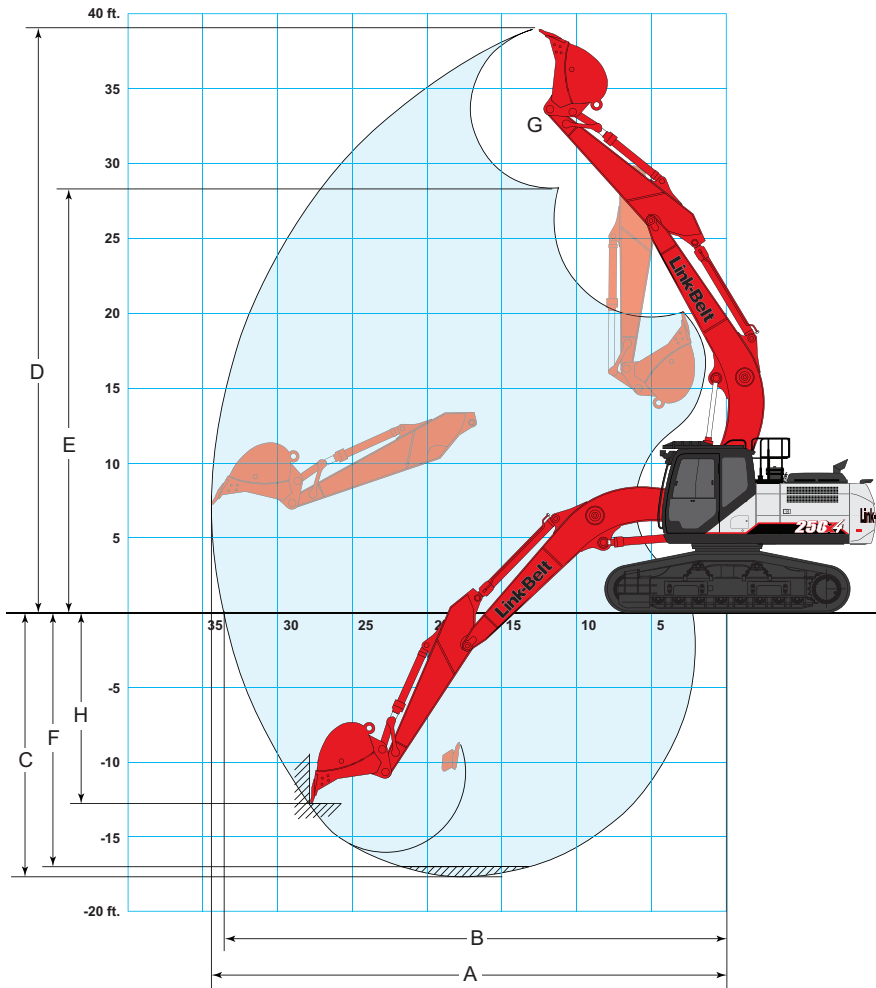
## Lubricant and Coolant Capacity

Fuel Tank.....	108 Gallons (410 Liters)
Hydraulic System .....	66 Gallons (250 Liters)
Hydraulic Tank.....	39 Gallons (147 Liters)
Final Drive (per side) .....	2.1 Gallons (8.0 Liters)
Swing Drive .....	2.6 Gallons (9.7 Liters)
Engine Oil.....	6.1 Gallons (23.1 Liters)
DEF Tank.....	31.7 Gallons (120 Liters)
Coolant System .....	8.3 Gallons (31.4 Liters)

## Operating Weight

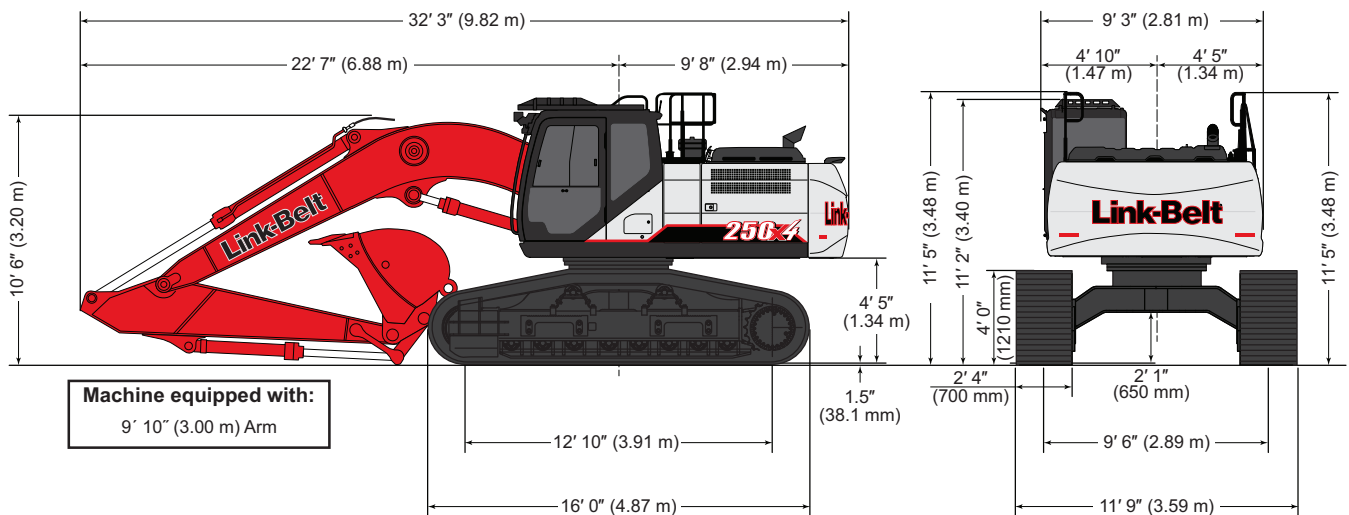
Working weight with 166 lb. (75 kg) operator, 27.5" (700 mm) 2-bar shoes, 19' 2" (5.85 m) boom, 9' 10" (3.0 m) arm , 11,500 lb. (5 220 kg) counterweight and 1,450 lb. (658 kg) bucket .....	68,400 lbs. (31 000 kg)
--	-------------------------

# WORKING RANGE & TRAVEL DIMENSIONS



Machine Equipped with 19' 2" (5.85 m) Boom	Arm 9' 10" (3.0 m)
A. Maximum reach	33' 10" (10.3 m)
B. Maximum reach @ ground level	33' 0" (10.07 m)
C. Maximum dig depth	17' 3" (5.27 m)
D. Maximum dig height	38' 1" (11.61 m)
E. Maximum dump height	27' 9" (8.45 m)
F. Digging depth 8' (2.44 m) level bottom	16' 9" (5.11 m)
G. Bucket rotation	175°
H. Maximum vertical wall depth	13' 5" (4.1 m)

## Travel Dimensions



# LIFT CAPACITIES

Radius of Load											
9' 10" (3.0 m) Arm with 19' 2" (5.85 m) Boom with Power-Boost Applied - No Bucket, High Lift Position											
End	Side	10' 0" (3.0 m)		15' 0" (4.5 m)		20' 0" (6.0 m)		25' 0" (7.5 m)		Cap at Max. Reach	
		End	Side	End	Side	End	Side	End	Side	End	Side
+30' 0"	lbs			15,850*	15,850*					12,000*	12,000*
(9.14 m)	kg			7 520*	7 520*					5 330*	5 330*
+25' 0"	lbs			17,250*	17,250*	15,350*	15,350*			10,350*	10,350*
(7.5 m)	kg			7 824*	7 824*	7 260*	7 260*			4 660*	4 660*
+20' 0"	lbs			18,350*	18,350*	18,250*	18,250*	11,650*	11,650*	9,750*	9,750*
(6.0 m)	kg			8 390*	8 390*	8 400*	8 400*	6 080*	6 080*	4 410*	4 410*
+15' 0"	lbs	33,800*	33,800*	24,150*	24,150*	19,750*	19,750*	17,250*	14,800	9,650*	9,650*
(4.5 m)	kg	15 820*	15 820*	11 190*	11 190*	9 100*	9 100*	7 920*	6 860	4 360*	4 360*
+10' 0"	lbs			28,300*	28,300*	21,550*	19,900	17,950*	14,450	9,850*	9,850*
(3.0 m)	kg			13 110*	13 110*	9 950*	9 220	8 260*	6 700	4 470*	4 470*
+5' 0"	lbs			31,000*	29,000	22,950*	19,200	18,450*	14,100	10,450*	10,450*
(1.5 m)	kg			14 310*	13 460	10 580*	8 890	8 490*	6 530	4 730*	4 730*
Ground	lbs	17,850*	17,850*	31,000*	28,250	23,150*	18,700	18,150*	13,850	11,500*	11,500*
Line	kg	7 810*	7 810*	14 270*	13 120	10 670*	8 670	8 390*	6 420	5 220*	5 220*
-5' 0"	lbs	30,700*	30,700*	28,450*	28,050	21,650*	18,500	16,200*	13,800	13,450*	13,250
(1.5 m)	kg	13 530*	13 530*	13 120*	13 040	10 000*	8 580	7 580*	6 380	6 100*	5 990
-10' 0"	lbs			23,250*	23,250*	17,500*	17,500*			13,650*	13,650*
(3.0 m)	kg			10 780*	10 780*	8 200*	8 200*			6 220*	6 220*

Radius of Load													
9' 10" (3.0 m) Arm with 19' 2" (5.85 m) Boom with Power-Boost Applied - No Bucket, Standard Lift Position													
End	Side	5' 0" (1.5 m)		10' 0" (3.0 m)		15' 0" (4.5 m)		20' 0" (6.0 m)		25' 0" (7.5 m)		Cap at Max. Reach	
		End	Side	End	Side	End	Side	End	Side	End	Side	End	Side
+25' 0"	lbs											10,350*	10,350*
(7.5 m)	kg											4 660*	4 660*
+20' 0"	lbs							14,900*	14,900*	11,650*	11,650*	9,750*	9,750*
(6.0 m)	kg							6 800*	6 800*	6 080*	6 080*	4 410*	4 410*
+15' 0"	lbs							16,600*	16,600*	15,300*	14,800	9,650*	9,650*
(4.5 m)	kg							7 640*	7 640*	6 980*	6 880	4 360*	4 360*
+10' 0"	lbs					24,600*	24,600*	19,000*	19,000*	16,400*	14,500	9,850*	9,850*
(3.0 m)	kg					11 410*	11 410*	8 770*	8 770*	7 520*	6 710	4 470*	4 470*
+5' 0"	lbs					28,900*	28,900*	21,300*	19,200	17,550*	14,100	10,450*	10,450*
(1.5 m)	kg					13 370*	13 370*	9 830*	8 900	8 060*	6 540	4 730*	4 730*
Ground	lbs			17,850*	17,850*	30,900*	28,250	22,750*	18,700	18,200	13,850	11,500*	11,500*
Line	kg			7 810*	7 810*	14 260*	13 140	10 500*	8 680	8 410*	6 420	5 220*	5 220*
-5' 0"	lbs	19,450*	19,450*	30,700*	30,700*	30,700*	28,050	22,900*	18,550	17,850*	13,800	13,450*	13,250
(1.5 m)	kg	8 700*	8 700*	13 530*	13 530*	14 140*	13 050	10 570*	8 590	8 280*	6 390	6 100*	5 990
-10' 0"	lbs	32,750*	32,750*	39,350*	39,350*	28,200*	28,200*	21,100*	18,650			17,450*	15,750
(3.0 m)	kg	14 580*	14 580*	18 140*	18 140*	13 040*	13 040*	9 790*	8 640			7 810*	7 080
-15' 0"	lbs			30,250*	30,250*	21,900*	21,900*					17,150*	17,150*
(4.5 m)	kg			14 130*	14 130*	10 310*	10 310*					7 810*	7 810*

## Notes: Excavator lifting capacities

- Lifting capacities shown should not be exceeded. Weight of all lifting accessories must be deducted from the above lifting capacities.
- Lifting capacities are based on machine standing on firm, uniform supporting surface. User must make allowances for job conditions such as soft or uneven ground.
- Lifting capacities shown do not exceed 75% of minimum tipping loads or 87% of hydraulic capacities. **Capacities marked with an asterisk (\*) are limited by hydraulic capacities.**
- Least stable position is over the side.
- Operator should be fully acquainted with the Operator's Manual & Operating Safety Booklet, furnished by LBX before operating the machine.
- Capacities apply only to the machine as originally manufactured and normally equipped by LBX Company LLC.
- Lift capacity ratings are based on ISO 10567:2007, "Earthmoving Machinery - Hydraulic Excavators - Lift Capacity."

# STANDARD & OPTIONAL EQUIPMENT

## STANDARD EQUIPMENT

### CAB

- 12V Power Outlet
- AM/FM Sound System
- Anti-Theft Device
- Auxiliary Switches on Control Lever
- Bluetooth
- Cab Filter - External
- Cab Handrails
- Cab Interior Light
- Cab ISO-Mounts
- Cab Lights (2) halogen
- Clear Roof Window
- Climate Control A/C and Heater
- Cup Holder
- Defroster
- Digital Clock
- Emergency Exit and Hammer
- Face Vent
- Floor Mat
- FOPS Level 1 Certified
- Front Window One-Touch Lock
- Gate Lock Hydraulic Activation
- Horn
- Hour Meter (Digital)
- LCD Color Monitor
- Magazine Storage Rack
- Maintenance Interval Reminders
- MP3 Auxiliary Input Jack
- On-Board Diagnostic System
- One-Piece Right Window
- Radio Mute Switch
- Rear View Camera
- Rear View Mirrors (2)
- RemoteCARE Support System (GPS)
- Roof Sun Shade
- ROPS Certified Structure
- Safety Glass Windows
- SCM Air-Suspension Seat (recline, tilt and heat)
- Selectable Monitor Languages
- Small Storage
- Travel Alarm with Cancel Switch
- Trip Meter (Digital)
- USB Input
- Wiper & Washer
- Wiper Switch on RH Joystick

### ENGINE

- 85A Alternator
- Air Filter (Double Element)
- Air Filter Restriction Indicator
- Auto Warm-Up System
- Auto-Idle
- Auto-Idle Engine Shutdown
- Battery Disconnect Switch w/ LED Light
- CEGR (Cooled Exhaust Gas Recirculation)

- Cooling Fan
- Diesel Oxidation Catalyst (DOC)
- Drain for Fuel Tank
- Dual Remote Fuel Filters with Water Separators
- EGR Coolers
- Emergency Engine Stop
- Engine Idle System
- Engine Oil Sample Port
- Engine Protection Feature
- External Fuel Gauge
- External DEF Gauge
- Fan Housing
- Fuel Cooler
- Fuel Filter Restriction Indicator
- Fuel Management System
- Fuel Shut-Off Valve
- Fuel Usage History
- Fuel Usage Monitor
- Glow Plug Pre-Heat
- Idle-Start
- Intercooler
- Neutral Start
- One-Touch Idle
- Passive Emissions Regeneration
- Radiator / Oil Cooler / Intercooler Protective Screen
- Remote Engine Oil Drain
- Remote Oil Filter
- Selective Catalytic Reduction (SCR)
- DEF Gauge on Monitor
- VGT Turbocharger

### HYDRAULICS

- Anti-Drift Valves
- Arm Regeneration
- Arm Speed Assistance (2 Pump Flow)
- Attachment Cushion Valve
- Auto Swing Priority
- Auxiliary Flow Control
- Auxiliary Tool Settings (Memory)
- Auxiliary Valve
- Boom Regeneration
- Boom Speed Assistance (2 Pump Flow)
- Bucket Curl Assist
- Combination Multifunction Hydraulics w/ Proportional Controls and In-cab Pressure Setting Control
- Control Levers Pre-Wired for Auxiliary Hyd.
- Control Pattern Changer (2 way)
- Electronically Controlled Hydraulic Pumps
- Fire Wall
- Free Swing
- Hydraulic Filter Restriction Indicator
- Hydraulic Oil Sample Port
- Long Life Hydraulic Oil (5,000 Hour)

- Neutral Pump De-Stroke
- Oil Cooler
- Power Boost
- Power Save
- Pressure Reading on Monitor
- Pump Stand-By Pressure
- Single Pedal Travel
- Straight Travel Circuit

### UNDERCARRIAGE

- 700 mm (27.5 in) 2-Bar Steel Grousers
- Carbody Belly Pan (Swivel Guarding)
- Center Track Guide (single)
- Lashing Points (Tie-Downs)
- Long Undercarriage
- Sealed Link Chain
- Steps
- Strutted Track Chain
- X-Pattern Carbody

### UPPERSTRUCTURE

- Belly Pans
- Center Cover (Over Main CV)
- Fuel Tank Belly Pan
- Hand Rail (RH access)
- ISO Guard Rails
- Lifting Eyes for Counterweight
- Lockable Fuel Cap and Service Doors
- Lockable Tool Box
- Turntable Tub
- Halogen Work Lights (Boom and Tool Box)

### ATTACHMENT

- 19' 2" (5.85 m) HD Main Boom Section with high lift bracket
- 9' 10" (3.0 m) HD Arm
- Auxiliary Pipe Brackets
- Boom Work Light
- Chrome Pins
- Easy Maintenance System (EMS)
- HD Bucket Linkage
- Remote Lube Bank
- Teardrop Pin Retention Keepers

### PARTS KIT

- Bucket Anti-Clatter Device
- Engine Manual
- Engine Oil Filter
- Filter Wrench
- Fuel Filters
- Grease Gun
- Green Plug Drain Hose for Engine Oil Drain
- Hydraulic Return Filter
- Ignition Keys
- Pilot Circuit Hydraulic Filter
- Rearview Mirrors
- Work Light for Boom

## OPTIONAL EQUIPMENT

### CAB

- 270° WAVES™ Camera System
- Cab Light (2 LED)
- Cab Sun Screen (rear)
- FOPS Head Guard (Level 2)
- Front Guard (OPG 1)
- Rain Deflector
- Right Side Camera

### ENGINE

- Air Pre-Cleaner (Cyclone type)
- Reversible Cooling Fan
- Tropical Package (must be ordered with air pre-cleaner)

### ATTACHMENT

- Quick Couplers
- Thumbs

## Bucket Sizes

Scan QR code to find the right size bucket, thumb, and coupler combination for the 250 X4 HD.



Or visit [qrco.de/bcXkQK](http://qrco.de/bcXkQK)



Litho in USA 2/20 #LBX2420

LBX® and Link-Belt® are registered trademarks. Copyright 2020. All rights reserved. We are constantly improving our products and therefore reserve the right to change designs and specifications.