

250x4

Material Handler Scrap Loader

MH - Linkage Style Attachment / SL - Droop Nose Attachment

Engine

Isuzu AQ-4HK1X Final Tier 4 turbocharged diesel engine with electronic control (ECM) and high pressure common-rail fuel injection, 4-cylinder, water-cooled, Cooled Exhaust Gas Recirculation (CEGR), Intercooler, Variable-Geometry Turbocharger (VGT), Diesel Oxidation Catalyst (DOC) and Selective Catalytic Reduction (SCR) system with Dosing Control Module and heated DEF lines and tank. Electronic fuel pump and priming, Fuel cooler, Auto-idle start, Auto warm-up, EPF engine protection, dual-stage fuel filtration, remote oil filter, engine oil sample port, green plug oil drain, double element air filter.

SAE net horsepower 177 hp (132.1 kW) @ 2,000 rpm
 Displacement 317 cu in (5.2 L)
 Maximum Torque 458 lbf-ft (621 N-m) @ 1,800 rpm
 Starter 24 V (5.0 kW)
 Alternator 50 amp
 Battery (2) 12-volt 92 amp hours

Cab and Controls

OPS and FOPS Level 1 certified with automatic climate control A/C and heat with defroster, 7" LCD Hi-Definition color monitor with full time rear view camera display, fuel efficiency gauge, low-effort joysticks are pre-wired for auxiliary hydraulics, dual cab lights, control pattern changer, safety glass windows, sunroof with sunshade, shockless cab suspension with four fluid cab mounts, SCM High-Back reclining suspension seat, sliding 4-position tilting control consoles, Bluetooth technology, AM/FM sound system with USB and MP3 auxiliary input jack, digital clock, dome light, seat belt, coat hook, cup holder, storage compartments, floor mat, footrests, ashtray, 24V cigarette lighter, 12V outlet, travel alarm, handrails, mirrors, side-entry cab filter, spare parts kit.

Three selectable work modes, RemoteCARE® Telematics GPS system, anti-theft password protection system, onboard self-diagnostic system with memory and service interval reminders, auto idling system, one-touch decelerator, auto-idle engine shutdown, auto-power boost, neutral safety start, gate-lock safety shutoff.

Hydraulic System

Open-center system, two variable-displacement electronically controlled axial-piston pumps, one axial-piston pump for magnet and one gear pump for pilot controls, main control valve with one 4-spool section and one 5-spool section with auxiliary spool: stackable, Auxiliary Control System, oil cooler, Auto-Power boost, boom and arm holding valves, 6 micron return filter, firewall, hydraulic oil sample port.

Hydraulic Pumps

Pump Output 2 x 61.8 gpm (234 L/min)
 Pilot Pump Maximum Flow 5.3 gpm (20 L/min)
 Magnet Pump 18 gpm (68 L/min)

Relief Valve Settings

Boom/Arm/Bucket 4,970 psi (34.3 MPa)
 in Power Boost 5,410 psi (37.3 MPa)
 Swing Circuit 3,910 psi (27.0 MPa)
 Travel Circuit 4,970 psi (34.3 MPa)

Hydraulic Cylinders

number of cylinders - bore x stroke
 Boom 2 - 5.5" x 44.3"
 (140 mm x 1 126 mm)
 Arm 2 - 4.9" x 50.4"
 (125 mm x 1 280 mm)
 Bucket (linkage style) 4.7" x 39.8"
 (120 mm x 1 010 mm)
 Cab elevating 3.3" x 31.5"
 (85 mm x 800 mm)



Swing

Planetary reduction powered by axial-piston motor, Internal ring gear with grease cavity for swing pinion, Swing bearing is single-row, shear type ball bearing, Mechanical disc swing brake, Auto-power swing.

Swing Speed 11.0 rpm
 Tail Swing 9' 8" (2.95 m)
 Swing Torque 51,500 lbf-ft (69.8 kNm)

Undercarriage

X-Pattern carbody with 15' 4" (4.68 m) LC long undercarriage by 8' 6" (2.59 m) track gauge, Sealed and strutted track chain with track guide, Sealed rollers and idlers, Two-speed independent hydrostatic travel with compact planetary final drive, Disc type brakes, Adjustable track tension, Carbody belly pan.

Carrier Rollers 2 per Side
 Track Rollers 9 per Side
 Track Link Pitch 7.48" (190 mm)
 Shoes 51 per Side
 Shoe Width 23.6" (600 mm)
 Ground Pressure
 Linkage Style Attachment 9.7 psi (0.067 MPa)
 Droop Nose Attachment 9.6 psi (0.066 MPa)

Travel System

Two-speed independent hydrostatic travel with compact axial-piston motors, Hydraulic motor powered output shaft coupled to a planetary reduction drive and track sprocket, All hydraulic components mounted within the width of side frame, Automatic downshift for high torque to overcome obstacles, Spring-applied hydraulic release parking brake built into each motor, Travel motors equipped with counterbalance valve to prevent over-speeding down an incline, Single-pedal straight line travel.

Travel Speeds 2.2 - 3.4 mph (3.5 - 5.5 km/h)
 Drawbar Pull 44,100 lbf (196 kN)
 Gradeability 70% (35°)

Attachment

MH - Linkage Style Attachment

Boom 23' 3" (7.10 m)
 Arm 16' 5" (5.00 m)
 Reach 38' 0" (11.58 m)

SL - Droop Nose Attachment

Boom 24' 3" (7.40 m)
 Arm 19' 0" (5.80 m)
 Reach 42' 5" (12.92 m)

Lubricant & Coolant Capacity

Fuel Tank 108 Gallons (410.0 Liters)
 Hydraulic System 66 Gallons (250.0 Liters)
 Hydraulic Tank 39 Gallons (147.0 Liters)
 Final Drive (per side) 1.3 Gallons (5.0 Liters)
 Swing Drive 2.6 Gallons (9.7 Liters)
 Engine Oil 6.1 Gallons (23.1 Liters)
 DEF Tank 31.7 Gallons (120.0 Liters)
 Coolant System 8.3 Gallons (31.4 Liters)

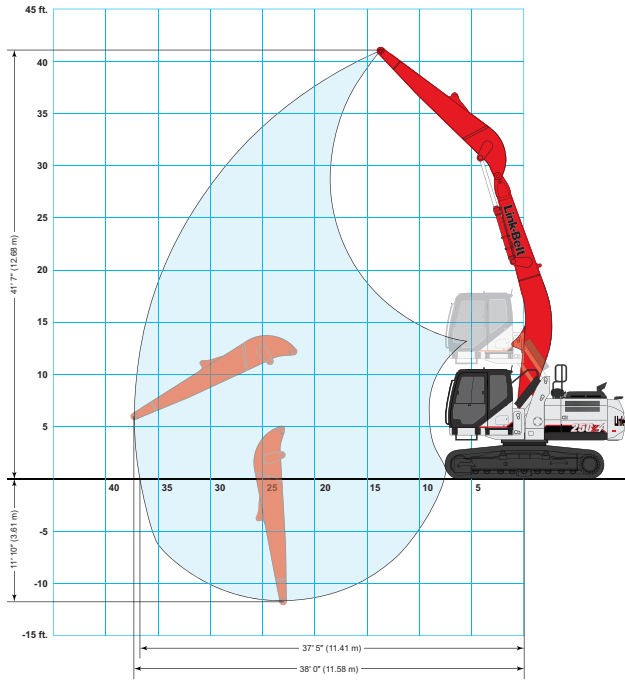
Operating Weight

Working weight with 23.6" (600 mm) shoes, 23' 3" (7.10 m) boom, MH - linkage style attachment, 4,938 lb. (2 240 kg) magnet, 18,000 lb. (8 150 kg) counterweight
 75,000 lbs. (34 000 kg)

Working weight with 23.6" (600 mm) shoes, 24' 3" (7.40 m) boom, SL - droop nose attachment, 18,000 lb. (8 150 kg) counterweight
 73,200 lbs. (33 200 kg)

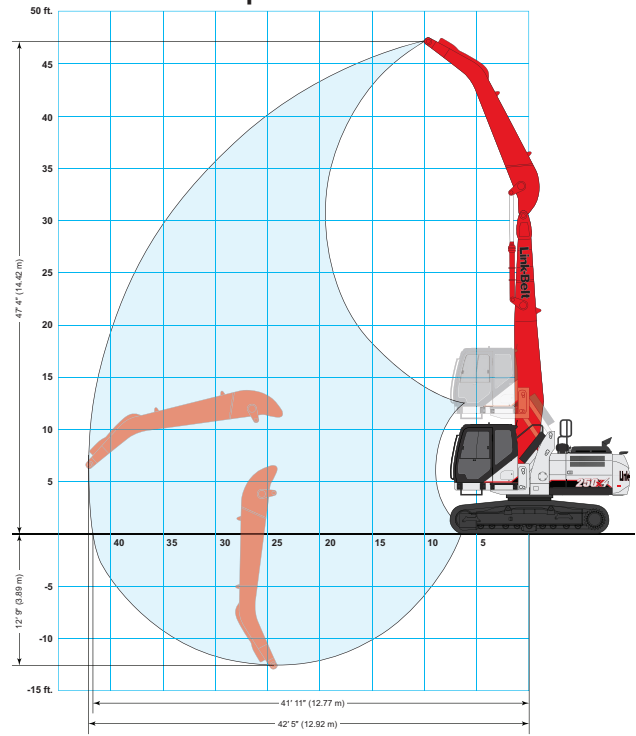
WORKING RANGE & TRAVEL DIMENSIONS

MH - Linkage Style Attachment



Machine Equipped with 23' 3" (7.10 m) Boom	Arm 16' 5" (5.00 m)
A. Maximum reach	38' 0" (11.58 m)
B. Maximum reach @ ground level	37' 5" (11.41 m)
C. Maximum depth	11' 10" (3.61 m)
D. Maximum height	41' 7" (12.68 m)

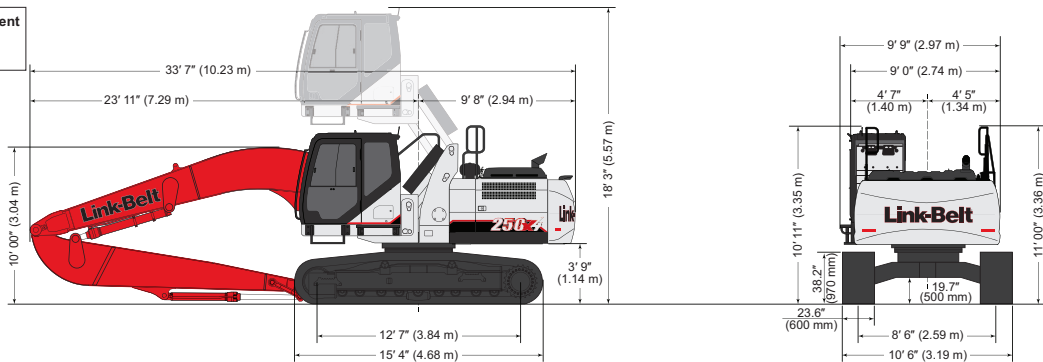
SL - Droop Nose Attachment



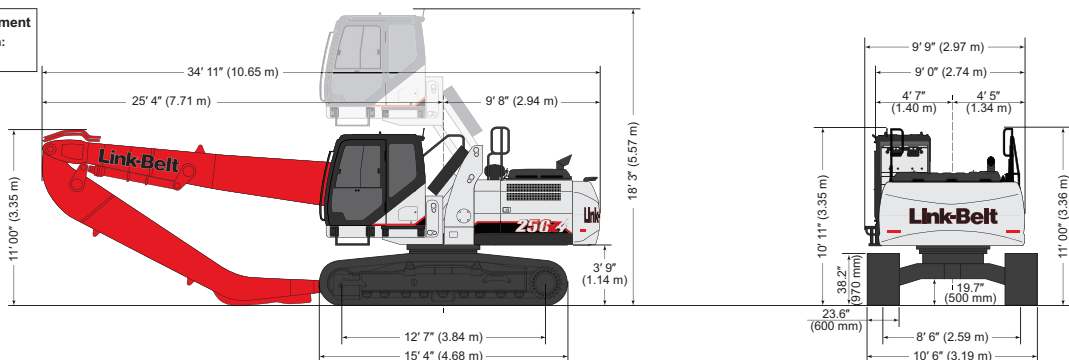
Machine Equipped with 24' 3" (7.40 m) Boom	Arm 19' 0" (5.80 m)
A. Maximum reach	42' 5" (12.92 m)
B. Maximum reach @ ground level	41' 11" (12.77 m)
C. Maximum depth	12' 9" (3.89 m)
D. Maximum height	47' 4" (14.42 m)

Travel Dimensions

MH - Linkage Style Attachment
Machine equipped with:
16' 5" (5.00 m) Arm



SL - Droop Nose Attachment
Machine equipped with:
19' 0" (5.80 m) Arm



LIFT CAPACITIES

Radius of Load MH - Linkage Style Attachment																	
16' 5" (5.00 m) Arm with 23' 3" (7.10 m) Boom and Power-Boost Applied - No Tool																	
End	Side	10' 0" (3.0 m)		15' 0" (4.5 m)		20' 0" (6.0 m)		25' 0" (7.5 m)		30' 0" (9.0 m)		35' 0" (10.5 m)		Max. Reach			
		End	Side	End	Side	End	Side	End	Side	End	Side	End	Side	End	Side		
+35' 0"	lbs																
(10.5 m)	kg							16,150*	16,150*							11,150*	11,150*
								7 300*	7 300*							4 990*	4 990*
+30' 0"	lbs							15,500*	15,500*	14,450*	14,450*					10,200*	10,200*
(9.0 m)	kg							7 060*	7 060*	6 580*	6 580*					4 600*	4 600*
+25' 0"	lbs							15,800*	15,800*	14,500*	14,500*	13,550*	11,250			9,800*	9,450
(7.5 m)	kg							7 240*	7 240*	6 630*	6 630*	6 180*	5 250			4 430*	4 240
+20' 0"	lbs							17,000*	17,000*	15,150*	14,950	13,800*	11,100	10,800*	8,500	9,650*	8,300
(6.0 m)	kg							7 810*	7 810*	6 950*	6 950	6 310*	5 170	5 640*	3 960	4 380*	3 740
+15' 0"	lbs					23,250*	23,250*	18,900*	18,900*	16,200*	14,400	14,300*	10,800	8,350	9,800*	9,800*	7,600
(4.5 m)	kg					10 770*	10 770*	8 720*	8 720*	7 450*	6 690	6 580*	5 020	5 630	3 900	4 440*	3 430
+10' 0"	lbs	43,150*	43,150*	27,950*	27,950*	21,250*	19,150	17,450*	13,750	15,000*	10,450	11,900	8,150	10,100*	7,150		
(3.0 m)	kg	17 440*	17 440*	12 950*	12 950*	9 810*	8 870	8 040*	6 370	6 900*	4 840	5 530	3 800	4 590*	3 250		
+5' 0"	lbs	9,350*	9,350*	31,950*	27,000	23,350*	17,950	18,600*	13,050	14,700	10,050	11,650	7,950	10,300	7,000		
(1.5 m)	kg	3 990*	3 990*	14 770*	12 520	10 780*	8 310	8 580*	6 060	6 810	4 660	5 410	3 690	4 670	3 170		
Ground	lbs	9,250*	9,250*	24,700*	24,700*	24,550*	17,000	18,650	12,500	14,300	9,700	11,450	7,750	10,400	7,000		
Line	kg	4 060*	4 060*	10 650*	10 650*	11 340*	7 880	8 650	5 800	6 640	4 500	5 320	3 600	4 710	3 190		
-5' 0"	lbs			21,850*	21,850*	24,550*	16,450	18,200	12,150	14,050	9,450	11,350	7,650	10,800	7,300		
(1.5 m)	kg			9 570*	9 570*	11 340*	7 630	8 460	5 620	6 520	4 380	5 260	3 540	4 900	3 310		
-10' 0"	lbs					23,150*	16,250	18,050	11,950	13,950	9,350				13,250	8,900	
(3.0 m)	kg					10 690*	7 530	8 370	5 540	6 470	4 340				5 940	3 990	

Radius of Load SL - Droop Nose Attachment																			
19' 0" (5.80 m) Arm with 24' 3" (7.40 m) Boom and Power-Boost Applied - No Tool																			
End	Side	10' 0" (3.0 m)		15' 0" (4.5 m)		20' 0" (6.0 m)		25' 0" (7.5 m)		30' 0" (9.0 m)		35' 0" (10.5 m)		40' 0" (12.0 m)		Max. Reach			
		End	Side	End	Side	End	Side	End	Side	End	Side	End	Side	End	Side	End	Side		
+45' 0"	lbs																		
(13.5 m)	kg			15,950*	15,950*												13,400*	13,400*	
				7 730*	7 730*												5 770*	5 770*	
+40' 0"	lbs					16,450*	16,450*	11,350*	11,350*								10,350*	10,350*	
(12.0 m)	kg					7 590*	7 590*	5 820*	5 820*								4 600*	4 600*	
+35' 0"	lbs					15,600*	15,600*	14,500*	14,500*	11,150*	11,150*						9,050*	9,050*	
(10.5 m)	kg					7 090*	7 090*	6 580*	6 580*	5 620*	5 400						4 070*	4 070*	
+30' 0"	lbs							14,150*	14,150*	13,300*	11,750	8,700*	8,700*				8,400*	8,400*	
(9.0 m)	kg							6 450*	6 450*	6 060*	5 470	4 710*	4 160				3 790*	3 790*	
+25' 0"	lbs					15,700*	15,700*	14,350*	14,350*	13,300*	11,650	12,500*	8,950				8,050*	7,650	
(7.5 m)	kg					7 190*	7 190*	6 580*	6 580*	6 090*	5 420	5 700*	4 180				3 640*	3 440	
+20' 0"	lbs					16,850*	16,850*	15,050*	15,050*	13,700*	11,400	12,600*	8,850	8,200*	7,000		7,850*	6,950	
(6.0 m)	kg					7 760*	7 760*	6 920*	6 920*	6 270*	5 310	5 770*	4 120	4 510*	3 260		3 560*	3 130	
+15' 0"	lbs					22,750*	22,750*	18,750*	18,750*	16,150*	14,650	14,300*	11,050	12,400	8,650	10,000	6,900	7,850*	6,450
(4.5 m)	kg					10 530*	10 530*	8 650*	8 650*	7 430*	6 800	6 560*	5 130	5 750	4 020	4 650	3 220	3 550*	2 930
+10' 0"	lbs	40,750*	40,750*	27,350*	27,350*	21,050*	19,350	17,400*	13,950	15,000*	10,600	12,100	8,400	9,850	6,800	7,950*	6,200		
(3.0 m)	kg	18 960*	18 960*	12 650*	12 650*	9 720*	8 960	8 020*	6 450	6 900*	4 930	5 620	3 900	4 580	3 160	3 610*	2 810		
+5' 0"	lbs	8,550*	8,550*	31,450*	27,150	23,200*	18,050	18,600*	13,200	14,800	10,200	11,800	8,150	9,700	6,650	8,200*	6,100		
(1.5 m)	kg	3 610*	3 610*	14 530*	12 580	10 700*	8 350	8 570*	6 110	6 870	4 720	5 480	3 770	4 510	3 090	3 720*	2 760		
Ground	lbs	7,050*	7,050*	21,850*	21,850*	24,500*	17,000	18,650	12,550	14,400	9,800	11,550	7,900	9,600	6,550	8,600*	6,150		
Line	kg	3 080*	3 080*	9 360*	9 360*	11 310*	7 880	8 660	5 820	6 670	4 540	5 370	3 660	4 450	3 030	3 900*	2 780		
-5' 0"	lbs	8,800*	8,800*	18,150*	18,150*	24,600*	16,350	18,200	12,150	14,100	9,500	11,400	7,750				9,550	6,500	
(1.5 m)	kg	3 900*	3 900*	7 930*	7 930*	11 360*	7 580	8 440	5 620	6 530	4 410	5 290	3 580				4 330	2 940	
-10' 0"	lbs			18,750*	18,750*	23,400*	16,100	17,950	11,900	13,950	9,350						11,550	7,800	
(3.0 m)	kg			8 230*	8 230*	10 800*	7 450	8 320	5 520	6 460	4 340						5 200	3 520	

Notes: Excavator lifting capacities

- Lifting capacities shown should not be exceeded. Weight of all lifting accessories must be deducted from the above lifting capacities.
- Lifting capacities are based on machine standing on firm, uniform supporting surface. User must make allowances for job conditions such as soft or uneven ground.
- Lifting capacities shown do not exceed 75% of minimum tipping loads or 87% of hydraulic capacities. Capacities marked with an asterisk (*) are limited by hydraulic capacities.
- Least stable position is over the side.
- Operator should be fully acquainted with the Operator's Manual & Operating Safety Booklet, furnished by LBX before operating the machine.
- Capacities apply only to the machine as originally manufactured and normally equipped by LBX Company, LLC.
- Lift capacity ratings are based on ISO 10567, "Earthmoving Machinery - Hydraulic Excavators - Lift Capacity."

STANDARD & OPTIONAL EQUIPMENT

STANDARD EQUIPMENT

CAB

- 12V Power Outlet
- AM/FM Sound System
- Anti-Theft Device
- Auxiliary Switches on Control Lever
- Bluetooth
- Cab Filter - External
- Cab Handrails
- Cab Interior Light
- Cab ISO-Mounts
- Cab Light (2)
- Clear Roof Window
- Climate Control A/C and Heater
- Cup Holder
- Defroster
- Digital Clock
- Emergency Exit and Hammer
- Face Vent
- Floor Mat
- FOPS Level 1 Certified
- Front Guard (OPG 1)
- Front Window One-Touch Lock
- Gate Lock Hydraulic Activation
- Horn
- Hour Meter (Digital)
- LCD Color Monitor
- Magazine Storage Rack
- Maintenance Interval Reminders
- MP3 Auxiliary Input Jack
- On-Board Diagnostic System
- One-Piece Right Window
- Radio Mute Switch
- Rear View Camera
- Rear View Mirrors (2)
- RemoteCARE Support System (GPS)
- Roof Sun Shade
- Safety Glass Windows
- SCM Air-Suspension Seat with Tilt & Heater
- Selectable Monitor Languages
- Small Storage
- Travel Alarm with Cancel Switch
- Trip Meter (Digital)
- USB Input
- Wiper & Washer
- Wiper Switch on RH Joystick

ENGINE

- 50A Alternator
- Air Filter (Double Element)
- Air Filter Restriction Indicator
- Air Pre-Cleaner (Cyclone type)
- Auto Warm-Up System
- Auto-Idle
- Auto-Idle Engine Shutdown
- Battery Disconnect Switch w/ LED Light

- CEGR (Cooled Exhaust Gas Recirculation)
- Cooling Fan
- Diesel Oxidation Catalyst (DOC)
- Drain for Fuel Tank
- Dual Remote Fuel Filters with Water Separators
- EGR Coolers
- Emergency Engine Stop
- Engine Idle System
- Engine Oil Sample Port
- Engine Protection Feature
- External Fuel Gauge
- External DEF Gauge
- Fan Housing
- Fuel Cooler
- Fuel Filter Restriction Indicator
- Fuel Management System
- Fuel Shut-Off Valve
- Fuel Usage History
- Fuel Usage Monitor
- Glow Plug Pre-Heat
- Idle-Start
- Intercooler
- Neutral Start
- One-Touch Idle
- Passive Emissions Regeneration
- Radiator / Oil Cooler / Intercooler Protective Screen
- Remote Engine Oil Drain
- Remote Oil Filter
- Selective Catalytic Reduction (SCR)
- DEF Gauge on Monitor
- VGT Turbocharger

HYDRAULICS

- Anti-Drift Valve (Arm & Boom)
- Arm Regeneration
- Arm Speed Assistance (2 Pump Flow)
- Attachment Cushion Valve
- Auto Swing Priority
- Auxiliary Flow Control
- Auxiliary Tool Settings (Memory)
- Auxiliary Valve
- Boom Regeneration
- Boom Speed Assistance (2 Pump Flow)
- Bucket Curl Assist
- Control Levers Pre-Wired for Auxiliary Hyd.
- Electronically Controlled Hydraulic Pumps
- Fire Wall
- Free Swing
- Hose Burst Check Valves
- Hydraulic Filter Restriction Indicator
- Hydraulic Oil Sample Port
- Long Life Hydraulic Oil (5,000 Hour)
- Neutral Pump De-Stroke
- Oil Cooler
- Power Boost

- Power Save
- Pressure Reading on Monitor
- Pump Stand-By Pressure
- Single Pedal Travel

UNDERCARRIAGE

- 600 mm (23.6" in) flat shoe
- Carbody Belly Pan (Swivel Guarding)
- Center Track Guide (single)
- Lashing Points (Tie-Downs)
- Long Undercarriage
- Sealed Link Chain
- Steps
- Strutted Track Chain
- X-Pattern Carbody

UPPERSTRUCTURE

- Belly Pans
- Center Cover (Over Main CV)
- Fuel Tank Belly Pan
- Hand Rail (RH access)
- ISO Guard Rails
- Lifting Eyes for Counterweight
- Lockable Fuel Cap and Service Doors
- Lockable Tool Box
- Turntable Tub
- Work Lights (Boom and Tool Box)

ATTACHMENT

- MH - Linkage Style Attachment
 - 23' 3" (7.10 m) Main Boom Section
 - 16' 5" (5.00 m) Arm
- SL - Droop Nose Attachment
 - 24' 3" (7.40 m) Main Boom Section
 - 19' 0" (5.80 m) Arm
- Auxiliary Pipe Brackets
- Boom Work Light
- Chrome Pins
- Easy Maintenance System (EMS)
- HD Bucket Linkage
- Remote Lube Bank
- Teardrop Pin Retention Keepers

PARTS KIT

- Engine Manual
- Engine Oil Filter
- Filter Wrench
- Fuel Filters
- Grease Gun
- Green Plug Drain Hose for Engine Oil Drain
- Hydraulic Return Filter
- Ignition Keys
- Pilot Circuit Hydraulic Filter
- Rearview Mirrors
- Work Light for Boom

OPTIONAL EQUIPMENT

CAB

- 270° WAVES™ Camera System
- Cab Light (2 LED)
- Cab Sun Screen (rear)
- FOPS Head Guard (Level 2)
- Front Guard (OPG 2)
- LED Light Kit for Side Camera (1)
- LED Lights for Rear Camera (2)
- Underview Cab Camera

ENGINE

- 85A Alternator
- Refuel Pump
- Reversible Cooling Fan
- Tropical Package

UNDERCARRIAGE

- 600 mm (23.5" in) 3-Bar Steel Grousers
- 700 mm (27.5" in) 3-Bar Steel Grousers
- 800 mm (31.5" in) 3-Bar Steel Grousers
- Center Track Guide (triple)

UPPERSTRUCTURE

- Rubber Bumper Guards
- Side Guards (Full-length, welded, triangulated steel)

ACCESSORIES

- 15 kW Genset Baldor/Hubbell