

210x4

HEAVY DUTY

SPECIFICATIONS

Engine

Isuzu AR-4HK1X Final Tier 4 turbocharged diesel engine with electronic control (ECM) and high pressure common-rail fuel injection, 4-cylinder, water-cooled, Cooled Exhaust Gas Recirculation (CEGR), Intercooler, Variable-Geometry Turbocharger (VGT), Diesel Oxidation Catalyst (DOC) and Selective Catalytic Reduction (SCR) system with Dosing Control Module and heated DEF lines and tank. Electronic fuel pump and priming, Fuel cooler, Auto-idle start, Auto warm-up, EPF engine protection, dual-stage fuel filtration, remote oil filter, engine oil sample port, green plug oil drain, double element air filter.

SAE J 1349 net horsepower.....	160 hp (119.3 kW) @ 1,800 rpm
Displacement	317 cu in (5.2 L)
Maximum Torque.....	457 lbf-ft (620 Nm) @ 1,600 rpm
Starter	24V-5.0kW
Alternator.....	85 amp
Battery.....	(2) 12-volt 92 amp hours

Cab and Controls

ROPS and FOPS Level 1 certified with automatic climate control A/C and heat with defroster, 7" LCD Hi-Definition color monitor with full time rear view camera display, fuel efficiency gauge, low-effort joysticks, dual halogen cab lights, control pattern changer, safety glass windows, sunroof with sunshade, shockless cab suspension with four fluid cab mounts, SCM High-Back reclining, tilting, air-suspension seat with heat, sliding 4-position tilting control consoles, Bluetooth technology, AM/FM sound system with USB and MP3 auxiliary input jack, digital clock, dome light, seat belt, coat hook, cup holder, storage compartments, floor mat, footrests, ashtray, 24V cigarette lighter, 12V outlet, travel alarm, handrails, mirrors, side-entry cab filter, spare parts kit.

Three selectable work modes, RemoteCARE Telematics GPS system, anti-theft password protection system, onboard self-diagnostic system with memory and service interval reminders, auto idling system, one-touch decelerator, auto-idle engine shutdown, auto-power boost, neutral safety start, gate-lock safety shutoff.

Hydraulic System

Open-center system, two variable-displacement electronically controlled axial-piston pumps and one gear pump for pilot controls, main control valve with one 4-spool section and one 5-spool section with auxiliary spool: stackable, one gear pump for rotate, one spool valve for rotate, Auxiliary Control System, oil cooler, Auto-Power boost, anti-drift valves, 6 micron return filter, firewall, hydraulic oil sample port. Combination multifunction hydraulics w/ proportional controls and in-cab pressure setting control.

Hydraulic Pumps

Pump Output	2 x 55.7 gpm (211 L/min)
Pilot Pump Maximum Flow.....	4.8 gpm (18 L/min)
Rotate Pump (gear) Maximum Flow	15.8 gpm (59.9 L/min)

Relief Valve Settings

Boom/Arm/Bucket.....	4,970 psi (34.3 MPa)
in Power Boost	5,410 psi (37.3 MPa)
Swing Circuit	4,260 psi (29.4 MPa)
Travel Circuit	4,970 psi (34.3 MPa)

Hydraulic Cylinders

	number of cylinders - bore x rod x stroke
Boom.....	2 - 4.7" x 3.3" x 49.4" (120 mm x 85 mm x 1,255 mm)
Arm	1 - 5.5" x 3.9" x 57.5" (140 mm x 100 mm x 1,460 mm)
Bucket.....	4.7" x 3.3" x 39.8" (120 mm x 85 mm x 1,010 mm)

Swing

Planetary reduction powered by axial-piston motor, Internal ring gear with grease cavity for swing pinion, Swing bearing is single-row, shear type ball bearing, Mechanical disc swing brake, Auto-power swing.

Swing Speed.....	11.5 rpm
Tail Swing	10' 4" (3.16 m)
Swing Torque	47,200 lbf-ft (64.0 kNm)



Undercarriage

X Pattern carbody with 15' 3" (4.65 m) undercarriage by 9' 2" (2.80 m) track gauge, Sealed and strutted track chain with track guide, Sealed rollers and idlers, Two-speed independent hydrostatic travel with compact planetary final drive, Disc type brakes, Adjustable track tension, Carbody belly pan, full-length track guards.

Carrier Rollers	2 per Side
Track Rollers	9 per Side
Track Link Pitch.....	7.5" (190 mm)
Shoes51 per Side
Shoe Width.....	27.5" (700 mm)
Ground Pressure.....	6.38 psi (0.044 MPa)

Travel System

Two-speed independent hydrostatic travel with compact axial-piston motors, Hydraulic motor powered output shaft coupled to a planetary reduction drive and track sprocket, All hydraulic components mounted within the width of side frame, Automatic downshift for high torque to overcome obstacles, Spring-applied hydraulic release parking brake built into each motor, Travel motors equipped with counterbalance valve to prevent over-speeding down an incline, Single-pedal straight line travel.

Travel Speeds	2.0 - 3.1 mph (3.2 - 5.0 km/h)
Drawbar Pull.....	45,200 lbf (201 kN)
Gradeability	70% (35°)

Attachment

Boom	18' 8" (5.70 m)
Arm	9' 8" (2.94 m)

Lubricant and Coolant Capacity

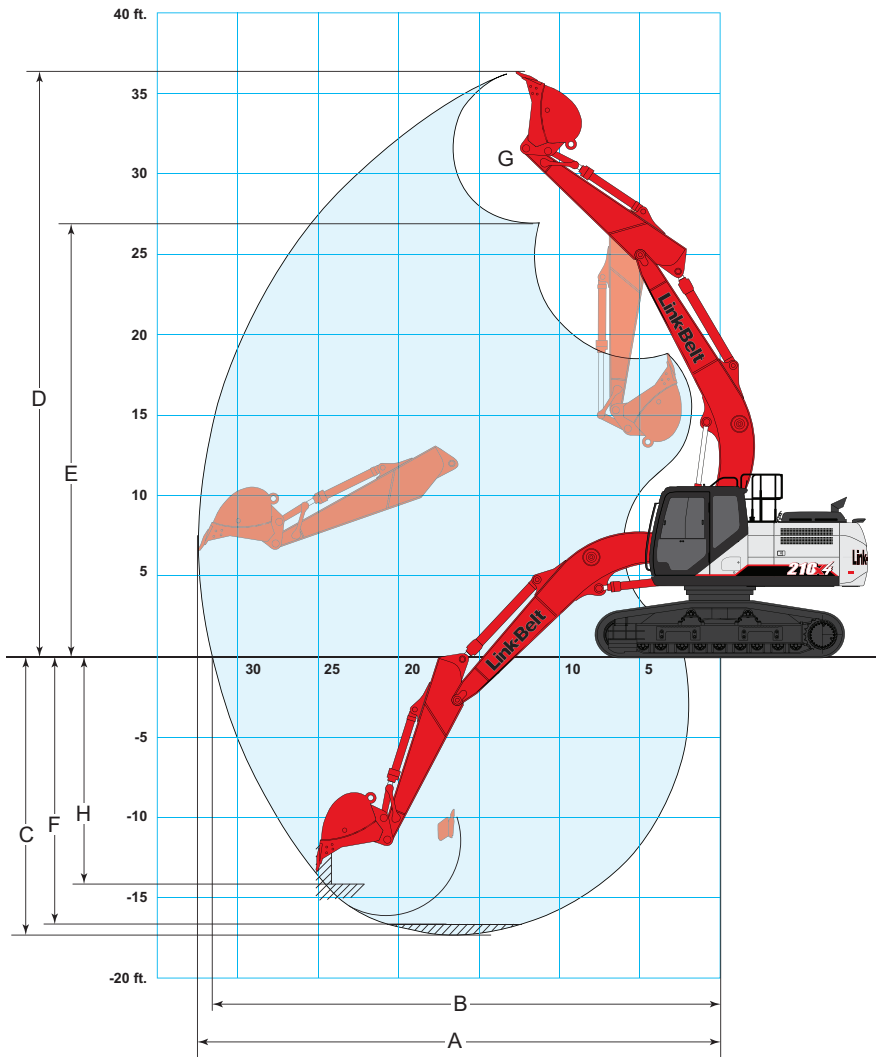
Fuel Tank.....	108 Gallons (410 Liters)
Hydraulic System	66 Gallons (250 Liters)
Hydraulic Tank.....	39 Gallons (147 Liters)
Final Drive (per side)	1.3 Gallons (5 Liters)
Swing Drive	1.3 Gallons (5 Liters)
Engine Oil	6.1 Gallons (23.1 Liters)
DEF Tank.....	31.7 Gallons (120 Liters)
Coolant System	8.3 Gallons (31.4 Liters)

Operating Weight

Working weight with 166 lb. (75 kg) operator, 27.5" (700 mm) 2-bar shoes, 18' 8" (5.70 m) boom, 9' 8" (2.94 m) arm, 8,640 lb. (3,920 kg) counterweight and 1,450 lb. (658 kg) bucket

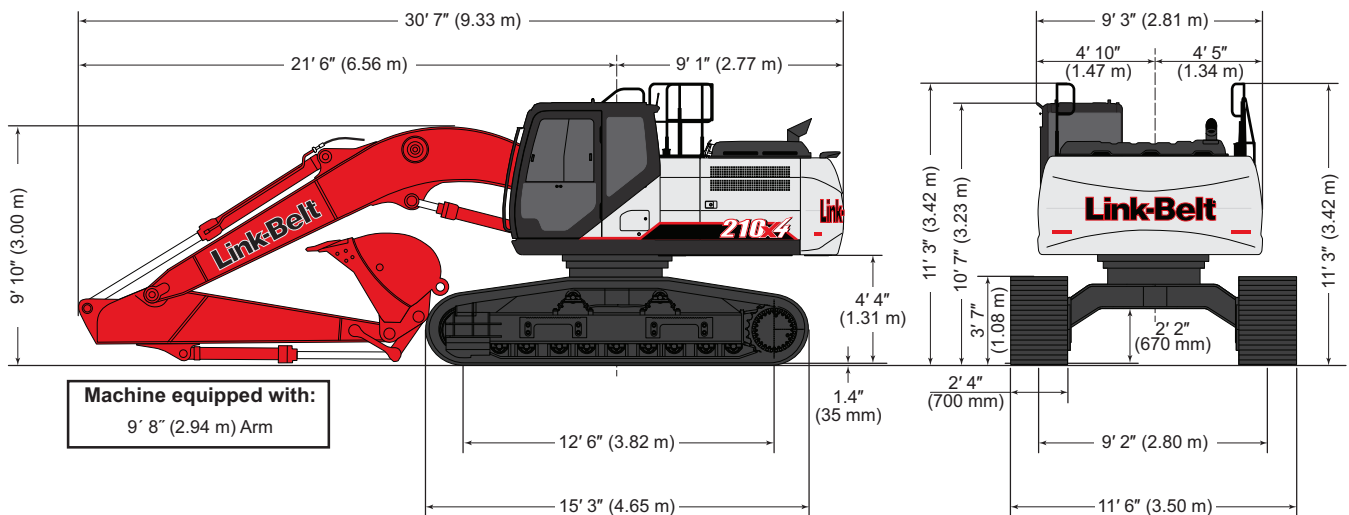
.....	56,900 lbs. (25,800 kg)
-------	-------------------------

WORKING RANGE & TRAVEL DIMENSIONS



Machine Equipped with 18' 8" (5.70 m) Boom	Arm 9' 8" (2.94 m)
A. Maximum reach	32' 5" (9.88 m)
B. Maximum reach @ ground level	31' 8" (9.66 m)
C. Maximum dig depth	17' 3" (5.25 m)
D. Maximum dig height	36' 3" (11.05 m)
E. Maximum dump height	26' 11" (8.21 m)
F. Digging depth 8' (2.44 m) level bottom	16' 8" (5.07 m)
G. Bucket rotation	177°
H. Maximum vertical wall depth	14' 1" (4.30 m)

Travel Dimensions



LIFT CAPACITIES

Radius of Load											
9' 8" (2.94 m) Arm with 18' 8" (5.70 m) Boom with Power-Boost Applied - No Bucket, High Lift Position											
End	Side	10' 0" (3.0 m)		15' 0" (4.5 m)		20' 0" (6.0 m)		25' 0" (7.5 m)		Cap at Max. Reach	
		End	Side	End	Side	End	Side	End	Side	End	Side
+30' 0"	lbs			12,279*	12,279*					10,750*	10,750*
(9.14 m)	kg			5 570*	5 570*					4 760*	4 760*
+25' 0"	lbs			14,850*	14,850*	11,150*	11,150*			9,050*	9,050*
(7.5 m)	kg			6 750*	6 750*	5 070*	5 070*			4 080*	4 080*
+20' 0"	lbs			15,850*	15,850*	14,550*	14,550*			8,500*	8,500*
(6.0 m)	kg			7 250*	7 250*	6 670*	6 670*			3 850*	3 850*
+15' 0"	lbs	25,950*	25,950*	18,850*	18,850*	15,500*	15,350	13,050*	10,900	8,400*	8,400*
(4.5 m)	kg	12 110*	12 110*	8 720*	8 720*	7 140*	7 120	6 230*	5 070	3 820*	3 820*
+10' 0"	lbs			21,950*	21,950*	16,850*	14,750	14,000*	10,650	8,650*	8,650*
(3.0 m)	kg			10 170*	10 170*	7 760*	6 830	6 450*	4 950	3 920*	3 920*
+5' 0"	lbs			24,050*	21,350	17,850*	14,150	13,900	10,400	9,250*	9,000
(1.5 m)	kg			11 110*	9 900	8 230*	6 560	6 450	4 810	4 190*	4 080
Ground	lbs	16,850*	16,850*	24,050*	20,700	17,900*	13,750	13,700	10,200	10,300*	9,250
Line	kg	7 380*	7 380*	11 080*	9 600	8 260*	6 370	6 350	4 720	4 670*	4 200
-5' 0"	lbs	27,800*	27,800*	21,950*	20,500	16,600*	13,600	12,050*	10,150	11,950*	10,150
(1.5 m)	kg	12 250*	12 250*	10 110*	9 530	7 670*	6 300	5 680*	4 700	5 430*	4 590
-10' 0"	lbs	22,150*	22,150*	17,550*	17,550*	13,000*	13,000*			10,750*	10,750*
(3.0 m)	kg	10 220*	10 220*	8 150*	8 150*	6 100*	6 100*			4 890*	4 890*

Radius of Load													
9' 8" (2.94 m) Arm with 18' 8" (5.70 m) Boom with Power-Boost Applied - No Bucket, Standard Lift Position													
End	Side	5' 0" (1.5 m)		10' 0" (3.0 m)		15' 0" (4.5 m)		20' 0" (6.0 m)		25' 0" (7.5 m)		Cap at Max. Reach	
		End	Side	End	Side	End	Side	End	Side	End	Side	End	Side
+25' 0"	lbs							11,150*	11,150*			9,050*	9,050*
(7.5 m)	kg							5 150*	5 150*			4 080*	4 080*
+20' 0"	lbs							11,400*	11,400*			8,500*	8,500*
(6.0 m)	kg							5 200*	5 200*			3 850*	3 850*
+15' 0"	lbs					14,450*	14,450*	12,600*	12,600*	11,850*	10,950	8,400*	8,400*
(4.5 m)	kg					6 700*	6 700*	5 800*	5 800*	5 390*	5 080	3 820*	3 820*
+10' 0"	lbs					18,450*	18,450*	14,450*	14,450*	12,600*	10,700	8,650*	8,650*
(3.0 m)	kg					8 560*	8 560*	6 660*	6 660*	5 780*	4 960	3 920*	3 920*
+5' 0"	lbs					22,000*	21,400	16,300*	14,200	13,500*	10,400	9,250*	9,000
(1.5 m)	kg					10 180*	9 920	7 520*	6 570	6 210*	4 820	4 190*	4 090
Ground	lbs			16,850*	16,850*	23,850*	20,700	17,550*	13,750	13,700	10,200	10,300*	9,250
Line	kg			7 380*	7 380*	11 000*	9 620	8 090*	6 390	6 360	4 720	4 670*	4 200
-5' 0"	lbs	17,400*	17,400*	27,800*	27,800*	23,900*	20,550	17,750*	1,3600	12,900*	10,150	12,300*	10,150
(1.5 m)	kg	7 800*	7 800*	12 250*	12 250*	11 010*	9 540	8 200*	6 310	6 330	4 700	5 540*	4 590
-10' 0"	lbs	28,800*	28,800*	31,150*	31,150*	22,100*	20,700	16,350*	13,750			14,300*	12,150
(3.0 m)	kg	12 820*	12 820*	14 380*	14 380*	10 220*	9 620	7 600*	6 370			6 470*	5 480
-15' 0"	lbs			24,000*	24,000*	17,050*	17,050*					14,400*	14,400*
(4.5 m)	kg			11 230*	11 230*	8 040*	8 040*					6 550*	6 550*

Notes: Excavator lifting capacities

- Lifting capacities shown should not be exceeded. Weight of all lifting accessories must be deducted from the above lifting capacities.
- Lifting capacities are based on machine standing on firm, uniform supporting surface. User must make allowances for job conditions such as soft or uneven ground.
- Lifting capacities shown do not exceed 75% of minimum tipping loads or 87% of hydraulic capacities. **Capacities marked with an asterisk (*) are limited by hydraulic capacities.**
- Least stable position is over the side.
- Operator should be fully acquainted with the Operator's Manual & Operating Safety Booklet, furnished by LBX before operating the machine.
- Capacities apply only to the machine as originally manufactured and normally equipped by LBX Company LLC.
- Lift capacity ratings are based on ISO 10567:2007, "Earthmoving Machinery - Hydraulic Excavators - Lift Capacity."

STANDARD & OPTIONAL EQUIPMENT

STANDARD EQUIPMENT

CAB

- 12V Power Outlet
- AM/FM Sound System
- Anti-Theft Device
- Auxiliary Switches on Control Lever
- Bluetooth
- Cab Filter - External
- Cab Handrails
- Cab Interior Light
- Cab ISO-Mounts
- Cab Lights (2) halogen
- Clear Roof Window
- Climate Control A/C and Heater
- Cup Holder
- Defroster
- Digital Clock
- Emergency Exit and Hammer
- Face Vent
- Floor Mat
- FOPS Level 1 Certified
- Front Window One-Touch Lock
- Gate Lock Hydraulic Activation
- Horn
- Hour Meter (Digital)
- LCD Color Monitor
- Magazine Storage Rack
- Maintenance Interval Reminders
- MP3 Auxiliary Input Jack
- On-Board Diagnostic System
- One-Piece Right Window
- Radio Mute Switch
- Rear View Camera
- Rear View Mirrors (2)
- RemoteCARE Support System (GPS)
- Roof Sun Shade
- ROPS Certified Structure
- Safety Glass Windows
- SCM Air-Suspension Seat (recline, tilt and heat)
- Selectable Monitor Languages
- Small Storage
- Travel Alarm with Cancel Switch
- Trip Meter (Digital)
- USB Input
- Wiper & Washer
- Wiper Switch on RH Joystick

ENGINE

- 85A Alternator
- Air Filter (Double Element)
- Air Filter Restriction Indicator
- Auto Warm-Up System
- Auto-Idle
- Auto-Idle Engine Shutdown
- Battery Disconnect Switch w/ LED Light
- CEGR (Cooled Exhaust Gas Recirculation)

- Cooling Fan
- Diesel Oxidation Catalyst (DOC)
- Drain for Fuel Tank
- Dual Remote Fuel Filters with Water Separators
- EGR Coolers
- Emergency Engine Stop
- Engine Idle System
- Engine Oil Sample Port
- Engine Protection Feature
- External Fuel Gauge
- External DEF Gauge
- Fan Housing
- Fuel Cooler
- Fuel Filter Restriction Indicator
- Fuel Management System
- Fuel Shut-Off Valve
- Fuel Usage History
- Fuel Usage Monitor
- Glow Plug Pre-Heat
- Idle-Start
- Intercooler
- Neutral Start
- One-Touch Idle
- Passive Emissions Regeneration
- Radiator / Oil Cooler / Intercooler Protective Screen
- Remote Engine Oil Drain
- Remote Oil Filter
- Selective Catalytic Reduction (SCR)
- DEF Gauge on Monitor
- VGT Turbocharger

HYDRAULICS

- Anti-Drift Valves
- Arm Regeneration
- Arm Speed Assistance (2 Pump Flow)
- Attachment Cushion Valve
- Auto Swing Priority
- Auxiliary Flow Control
- Auxiliary Tool Settings (Memory)
- Auxiliary Valve
- Boom Regeneration
- Boom Speed Assistance (2 Pump Flow)
- Bucket Curl Assist
- Combination Multifunction Hydraulics w/ Proportional Controls and In-cab Pressure Setting Control
- Control Levers Pre-Wired for Auxiliary Hyd.
- Control Pattern Changer (2 way)
- Electronically Controlled Hydraulic Pumps
- Fire Wall
- Free Swing
- Hydraulic Filter Restriction Indicator
- Hydraulic Oil Sample Port
- Long Life Hydraulic Oil (5,000 Hour)
- Neutral Pump De-Stroke

- Oil Cooler
- Power Boost
- Power Save
- Pressure Reading on Monitor
- Pump Stand-By Pressure
- Single Pedal Travel
- Straight Travel Circuit

UNDERCARRIAGE

- 700 mm (27.5 in) 2-Bar Steel Grousers
- Carbody Belly Pan (Swivel Guarding)
- Center Track Guide (single)
- Lashing Points (Tie-Downs)
- Long Undercarriage
- Sealed Link Chain
- Steps
- Strutted Track Chain
- X-Pattern Carbody

UPPERSTRUCTURE

- Belly Pans
- Center Cover (Over Main CV)
- Fuel Tank Belly Pan
- Hand Rail (RH access)
- ISO Guard Rails
- Lifting Eyes for Counterweight
- Lockable Fuel Cap and Service Doors
- Lockable Tool Box
- Turntable Tub
- Halogen Work Lights (Boom and Tool Box)

ATTACHMENT

- 18' 8" (5.70 m) HD Main Boom Section with high lift bracket
- 9' 8" (2.94 m) HD Arm
- Auxiliary Pipe Brackets
- Boom Work Light
- Chrome Pins
- Easy Maintenance System (EMS)
- HD Bucket Linkage
- Remote Lube Bank
- Teardrop Pin Retention Keepers

PARTS KIT

- Bucket Anti-Clatter Device
- Engine Manual
- Engine Oil Filter
- Filter Wrench
- Fuel Filters
- Grease Gun
- Green Plug Drain Hose for Engine Oil Drain
- Hydraulic Return Filter
- Ignition Keys
- Pilot Circuit Hydraulic Filter
- Rearview Mirrors
- Work Light for Boom

OPTIONAL EQUIPMENT

CAB

- 270° WAVES™ Camera System
- Cab Light (2 LED)
- Cab Sun Screen (rear)
- FOPS Head Guard (Level 2)
- Front Guard (OPG 1)
- Rain Deflector
- Right Side Camera

ENGINE

- Air Pre-Cleaner (Cyclone type)
- Reversible Cooling Fan
- Tropical Package (must be ordered with air pre-cleaner)

ATTACHMENT

- Quick Couplers
- Thumbs

Bucket Sizes

Scan QR code to find the right size bucket, thumb, and coupler combination for the 210 X4 HD.



Or visit qrco.de/bcY0w7



Litho in USA 12/21 #LBX2456

LBX® and Link-Belt® are registered trademarks. Copyright 2021. All rights reserved. We are constantly improving our products and therefore reserve the right to change designs and specifications.